

Approval body for construction products  
and types of construction

Bautechnisches Prüfamt

An institution established by the Federal and  
Laender Governments



## European Technical Assessment

ETA-11/0288  
of 27 July 2017

English translation prepared by DIBt - Original version in German language

### General Part

Technical Assessment Body issuing the  
European Technical Assessment:

Deutsches Institut für Bautechnik

Trade name of the construction product

PFEIFER DB Anchor System

Product family  
to which the construction product belongs

Cast-in anchor with internal threaded socket

Manufacturer

Pfeifer Seil- und Hebeteknik GmbH  
Dr.-Karl-Lenz-Str. 66  
87700 Memmingen

Manufacturing plant

Pfeifer Seil- und Hebeteknik GmbH  
Dr.-Karl-Lenz-Str. 66  
87700 Memmingen

This European Technical Assessment  
contains

26 pages including 3 annexes

This European Technical Assessment is  
issued in accordance with Regulation (EU)  
No 305/2011, on the basis of

European Assessment Document (EAD)  
330012-01-0601

This version replaces

ETA-11/0288 issued on 10 September 2016

The European Technical Assessment is issued by the Technical Assessment Body in its official language. Translations of this European Technical Assessment in other languages shall fully correspond to the original issued document and shall be identified as such.

Communication of this European Technical Assessment, including transmission by electronic means, shall be in full. However, partial reproduction may only be made with the written consent of the issuing Technical Assessment Body. Any partial reproduction shall be identified as such.

This European Technical Assessment may be withdrawn by the issuing Technical Assessment Body, in particular pursuant to information by the Commission in accordance with Article 25(3) of Regulation (EU) No 305/2011.

## Specific Part

### 1 Technical description of the product

The PFEIFER-DB-Anchor-System in the size of 12, 16, 20, 24 and 30 is an anchor consisting of an internal threaded socket pressed on a ribbed reinforcement bar. The socket is made of galvanised steel or stainless steel. The reinforcement bar may be waved (PFEIFER Waved Anchor DB 682) or may be straight with a head pressed on one end (PFEIFER Foot-Mounted Anchor DB 682). The anchor is imbedded surface-flush or sunk in the concrete. The anchorage is characterised by bond of the waved reinforcement bar or mechanical interlock at the head.

The product description is given in Annex A.

### 2 Specification of the intended use in accordance with the applicable European Assessment Document

The performances given in Section 3 are only valid if the anchor is used in compliance with the specifications and conditions given in Annex B.

The verifications and assessment methods on which this European Technical Assessment is based lead to the assumption of a working life of the anchor of at least 50 years. The indications given on the working life cannot be interpreted as a guarantee given by the producer, but are to be regarded only as a means for choosing the right products in relation to the expected economically reasonable working life of the works.

### 3 Performance of the product and references to the methods used for its assessment

#### 3.1 Mechanical resistance and stability (BWR 1)

Essential characteristic	Performance
Characteristic values for resistance for static and quasi-static loads and displacements	See Annex C1 to C6
Characteristic resistance for seismic performance categories C1 and C2 and displacements	See Annex C7 to C10

#### 3.2 Safety in case of fire (BWR 2)

Essential characteristic	Performance
Reaction to fire	Anchorage satisfy requirements for Class A1

### 4 Assessment and verification of constancy of performance (AVCP) system applied, with reference to its legal base

In accordance with EAD No. 330012-01-0601, the applicable European legal act is: [96/582/EC].

The system to be applied is: 1

**5 Technical details necessary for the implementation of the AVCP system, as provided for in the applicable EAD**

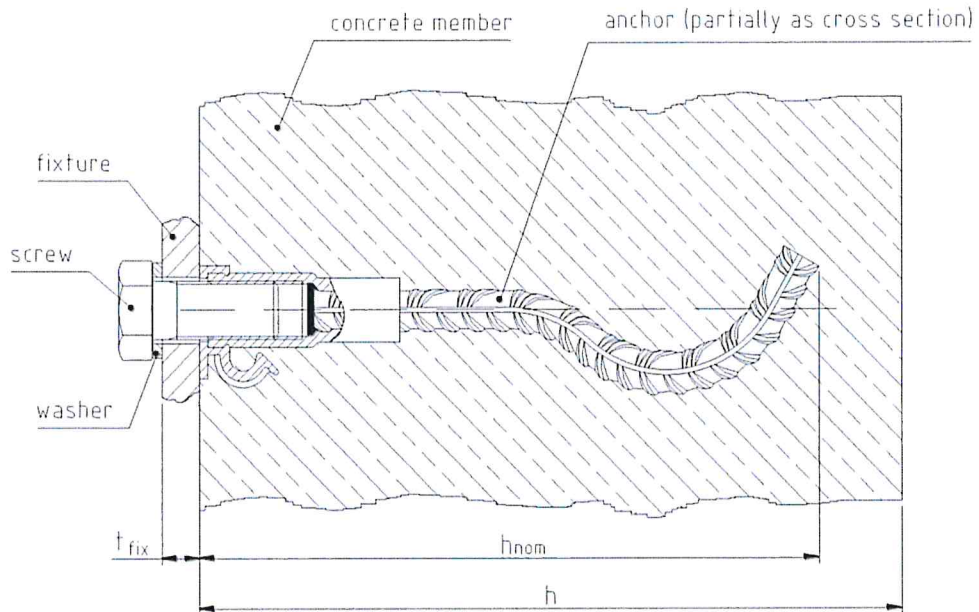
Technical details necessary for the implementation of the AVCP system are laid down in the control plan deposited with Deutsches Institut für Bautechnik.

Issued in Berlin on 27 July 2017 by Deutsches Institut für Bautechnik

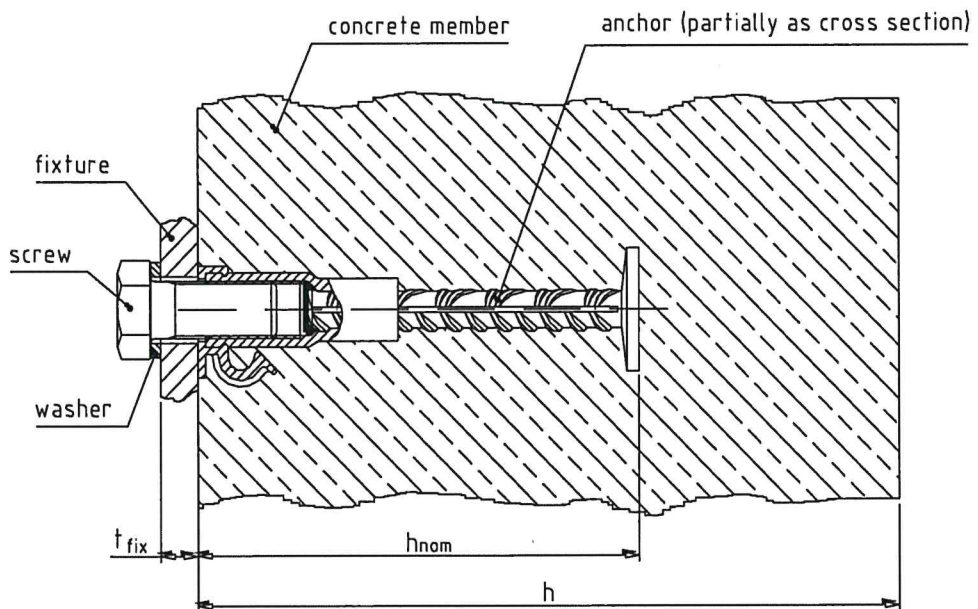
BD Dipl.-Ing. Andreas Kummerow  
Head of Department

*beglaubigt:*  
Lange

**PFEIFER Waved Anchor DB 682**



**PFEIFER Foot-Mounted Anchor DB 682**

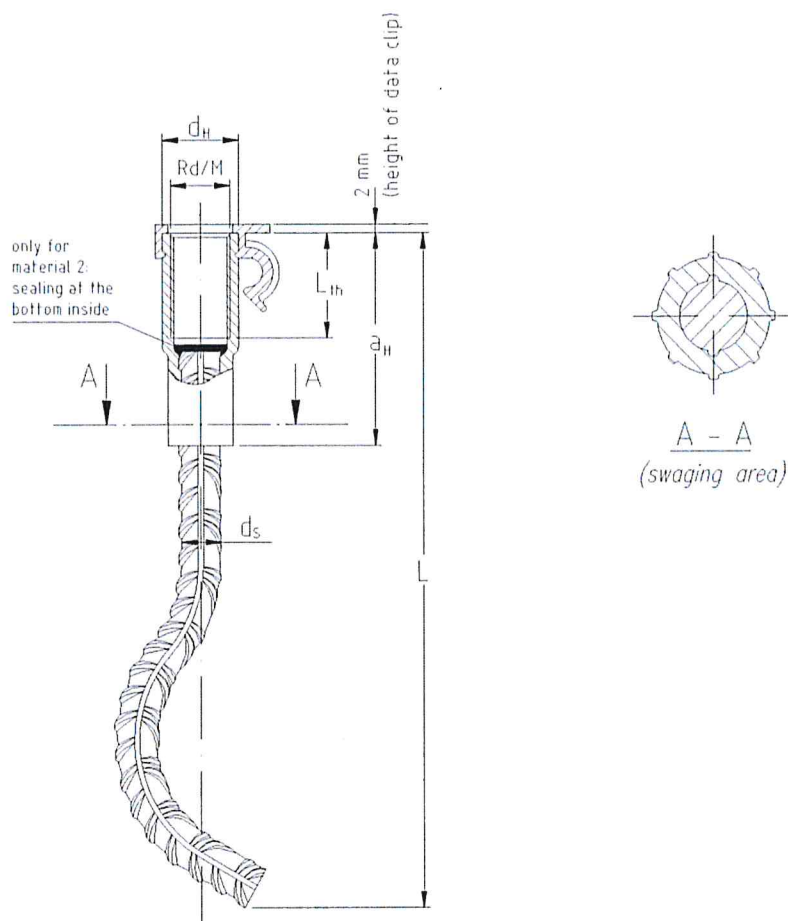


- $h$  = thickness of concrete member
- $t_{fix}$  = thickness of fixture
- $h_{nom}$  = embedment depth

**PFEIFER-DB-Anchor-System**

**Product description**  
Installed condition

**Annex A1**



PFEIFER Waved Anchor DB 682 made of two different materials:

Material 1: Socket galvanized steel (thickness  $\geq 5 \mu\text{m}$ ) or

Material 2: Socket stainless steel (1.4571)

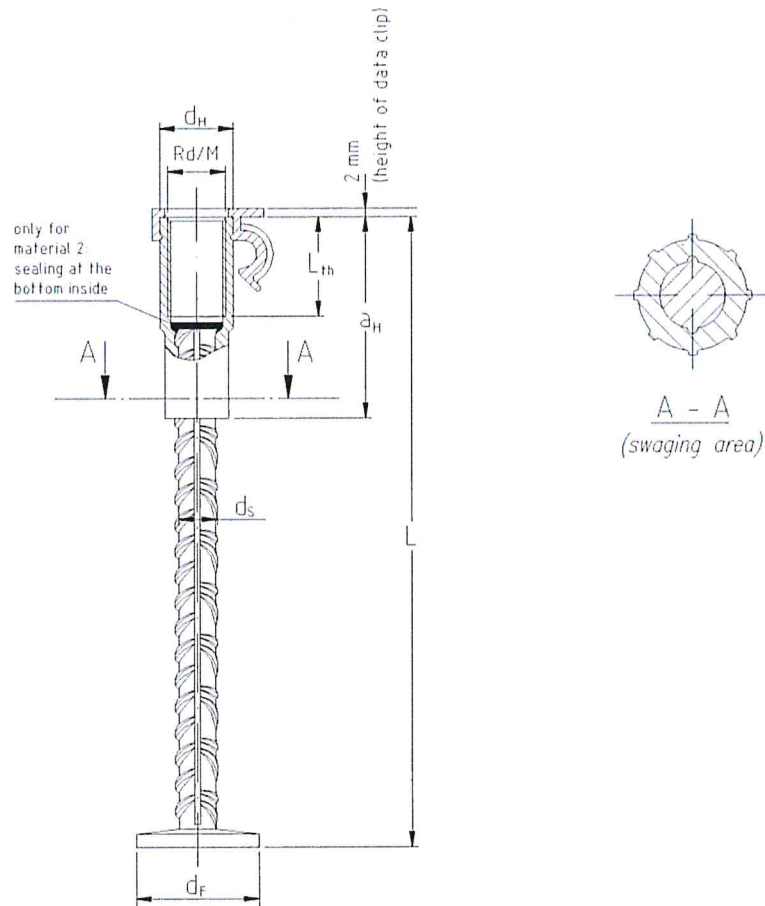
Table A1: Dimensions of PFEIFER Waved Anchor DB 682

Waved Anchor	$d_H$		$a_H$	$L_{th}$	$d_s$	$L$
	Material 1	Material 2	Material 1 and Material 2			
	[mm]	[mm]	[mm]	[mm]	[mm]	[mm]
Rd/M12	15,0	14,8	42,0	22	8	108
Rd/M16	21,0	21,6	56,5	27	12	172
Rd/M20	27,2	27,2	72,0	35	16	192
Rd/M24	31,0	31,0	82,0	43	16	250
Rd/M30	39,5	39,5	109,5	56	20	300

PFEIFER-DB-Anchor-System

Product description  
Dimensions Waved Anchor DB 682

Annex A2



PFEIFER Foot-Mounted Anchor DB 682 made of two different materials:

Material 1: Socket galvanized steel (thickness  $\geq 5 \mu\text{m}$ ) or

Material 2: Socket stainless steel (1.4571)

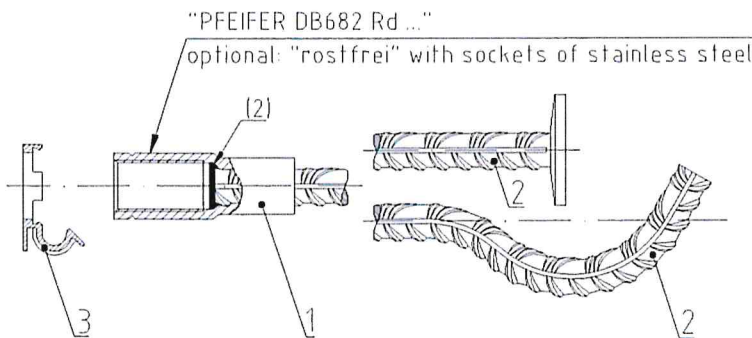
Table A2: Dimensions of PFEIFER Foot-Mounted Anchor DB 682

Foot-Mounted Anchor	$d_H$		$a_H$	$L_{th}$	$d_s$	$d_F$	$L$
	Material 1	Material 2					
	[mm]	[mm]	[mm]	[mm]	[mm]	[mm]	[mm]
Rd/M12	15,0	14,8	42,0	22	8	22 - 24	78
Rd/M16	21,0	21,6	56,5	27	12	30 - 36	118
Rd/M20	27,2	27,2	72,0	35	16	40 - 48	148
Rd/M24	31,0	31,0	82,0	43	16	40 - 48	178
Rd/M30	39,5	39,5	109,5	56	20	50 - 60	218

PFEIFER-DB-Anchor-System

Product description  
Dimensions Foot-Mounted Anchor DB 682

Annex A3



**Marking**

e.g.: PFEIFER DB 682 Rd12

PFEIFER: Identifying mark of the producer  
DB 682: Name of the anchor  
Rd12: Size

Illustration for anchor with Rd thread.  
M thread equivalent.

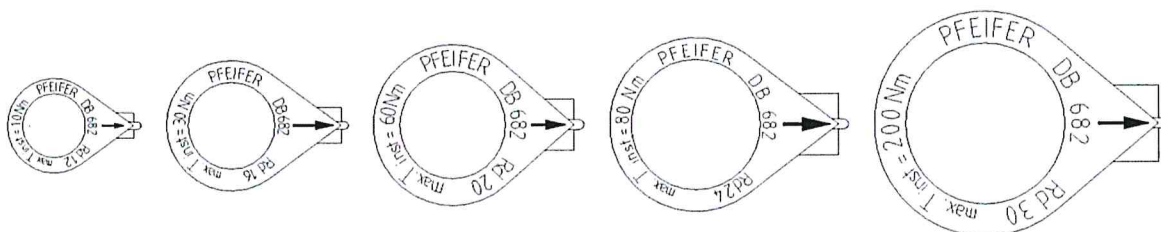
Table A3: Specification and material of the anchor

Item	Component	Material 1 galvanized steel	Material 2 stainless steel
1	Socket	Steel E 355 +N (1.0580) acc. to EN 10305-1/2 galvanized <sup>1)</sup>	stainless steel 1.4571 acc. to EN 10216-5 with BLUE sealing inside the socket <sup>2)</sup>
2	Reinforcement Bar	B500A or B500B	
3	Data Clip	Waved Anchor: Foot-Mounted Anchor:	Hostalen PPN 1060 RAL 7001 / grey Hostalen PPN 1060 RAL 9010 / white

Table A4: Specification and material of appropriate components (not included in anchor)

Appr. Component	Material associated with anchor of Material 1	Material associated with anchor of Material 2
Washer	Steel acc. to EN 10025, galvanized <sup>1)</sup>	Stainless steel 1.4571 acc. to EN 10088
	Geometry acc. to EN ISO 7089/7090	
Screw	Steel acc. to EN ISO 898-1, galvanized <sup>1)</sup> , strength class 5.6 or 8.8	Stainless steel acc. to EN ISO 3506-1, strength class A4-50 or A4-70
Supplementary Reinforcement	B500A or B500B	Reinforcing steel made of stainless steel
	Geometry acc. to Annex A5 (plane installation) or Annex A6 (front-side installation)	

- 1) Galvanizing with a plate thickness  $\geq 5 \mu\text{m}$  incl. chromate coating (yellow) acc. to EN ISO 4042  
2) Front side of reinforcement bar covered/protected against corrosion



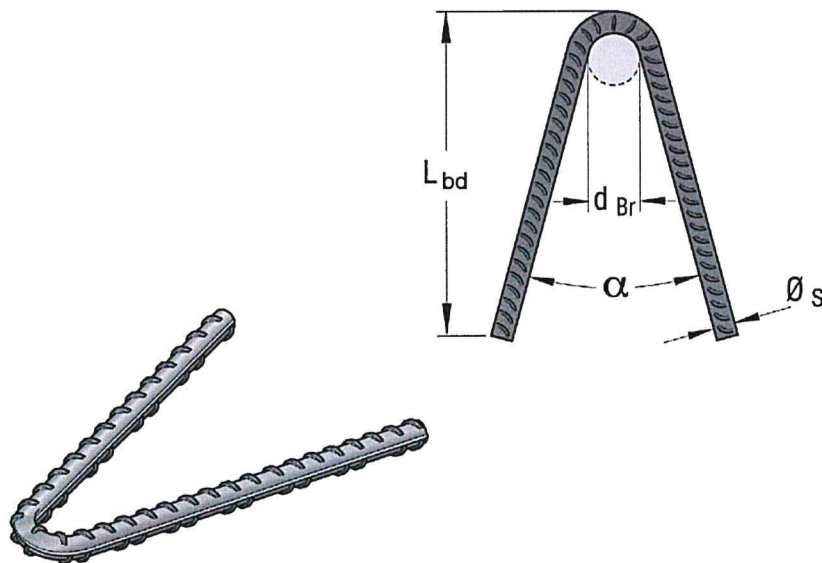
Front view of Data Clip for anchors with Rd thread. M thread equivalent.

<b>PFEIFER-DB-Anchor-System</b>	<b>Annex A4</b>
<b>Product description</b> Marking and materials	



Table A5: Dimensions of supplementary reinforcement for plane installation

Waved Anchor / Foot-Mounted Anchor			Rd/M12	Rd/M16	Rd/M20	Rd/M24	Rd/M30
reinforcement bar B500A, B500B or B500NR	$\varnothing_s$	[mm]	6	8	10	12	12
anchorage length	$L_{bd}$	[mm]	330	440	550	660	660
mandrel diameter	$d_{Br}$	[mm]	24	32	40	48	48
spreading angle	$\alpha$	[°]	30	30	30	30	30



**Note**

The supplementary reinforcement has to be fixed directly onto the socket by using the data clip. If the anchors are not used under dry conditions (indoor) according to Annex B1, the additional reinforcement has to be made of stainless steel.

**PFEIFER-DB-Anchor-System**

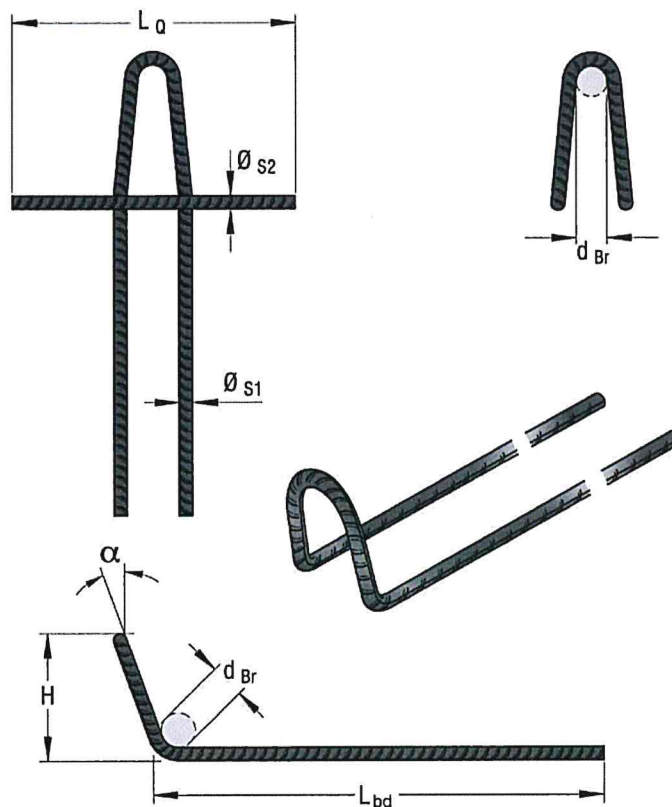
**Product description**

Supplementary reinforcement for plane installation with shear load

**Annex A5**

Table A6: Dimensions of supplementary reinforcement for front-side installation

Waved Anchor / Foot-Mounted Anchor			Rd/M12	Rd/M16	Rd/M20	Rd/M24	Rd/M30
reinforcement bar B500A, B500B or B500NR	$\varnothing_{S1}$	[mm]	6	8	10	12	12
crossbar B500A, B500B or B500NR	$\varnothing_{S2}$	[mm]	8	12	14	14	16
anchorage length	$L_{bd}$	[mm]	270	420	490	520	570
length of crossbar	$L_Q$	[mm]	280	400	490	550	580
hight	H	[mm]	40	55	70	80	105
mandrel diameter	$d_{Br}$	[mm]	24	32	40	48	48
spreading angle	$\alpha$	[°]	15	15	15	15	15



**Note**

The supplementary reinforcement has to be fixed directly onto the socket by using the data clip. If the anchors are not used under dry conditions (indoor) according to Annex B1, the additional reinforcement has to be made of stainless steel.

**PFEIFER-DB-Anchor-System**

**Product description**  
Supplementary reinforcement for front-side installation with shear load

**Annex A6**

### **Specifications of intended use**

#### **Anchorage subject to**

- Static and quasi-static loads: Foot-Mounted Anchor DB 682 and Waved Anchor DB 682
- Seismic actions for performance categories C1 and C2: Foot-Mounted Anchor DB 682 only

#### **Base materials**

- Reinforced or unreinforced normal weight concrete according to EN 206-1:2000
- Strength classes C20/25 to C50/60 according to EN 206-1:2000
- Cracked or uncracked concrete

#### **Use conditions (Environmental conditions)**

- Structures subject to dry internal conditions (material 1 acc. Annex A4 only if the inner area of the socket is protected against water during installation)
- Structures subject to external atmospheric exposure (including industrial and marine environment) and to permanently damp internal condition, if no particular aggressive conditions exist (material 2 acc. Annex A4)

Note: Particular aggressive conditions are e.g. permanent, alternating immersion in seawater or the splash zone of seawater, chloride atmosphere of indoor swimming pools or atmosphere with extreme chemical pollution (e.g. in desulphurization plants or road tunnels where de-icing materials are used)

#### **Design**

- Anchorages are designed under the responsibility of an engineer experienced in anchorages and concrete work
- Verifiable calculation notes and drawings are prepared taking account of the loads to be anchored. The position of the anchor is indicated on the design drawings (e.g. position of the anchor relative to reinforcement or to supports, orientating the data clip)
- Anchorages under static or quasi-static actions are designed in accordance with:
  - CEN/TS 1992-4:2009, part 1 and 2
- Anchorages under seismic actions (cracked concrete) are designed in accordance with:
  - EOTA Technical Report TR 045, Edition February 2013
- Requirements for the screw:
  - Material in accordance with Annex A4
  - Strength class in accordance with Annex C1 and C3
  - Length in accordance with Annex B3 and required thickness of the fixture
- If applicable a supplementary reinforcement is chosen acc. to Annex A5 or A6

**PFEIFER-DB-Anchor-System**

**Intended Use  
Specifications**

**Annex B1**

### Installation

- Installation of anchors is carried out by appropriately qualified workers under supervision of the person responsible for technical matters on site
- Usage of anchors only as supplied by the manufacturer without any manipulation or exchanging of components
- Installation of anchors in accordance with manufacturer's specifications given in Annex B5 and Annex B6
- Anchors have to be fixed on the formwork so that no movement of the anchors will occur during the time of laying the reinforcement and of placing and compacting the concrete
- Concrete around anchors and especially under the heads of foot-mounted anchors has to be compacted properly
- Inner area of socket has to be protected against penetration of concrete
- Inner area of socket made of galvanised steel has to be protected against water
- Inner area of socket made of stainless steel has to be protected against oil
- Maximum setting torques and the minimum and maximum screw-in depth given in Annex B3 must not be exceeded
- Anchors may only be loaded in the direction shown by the data clip (arrow) if a supplementary reinforcement is used

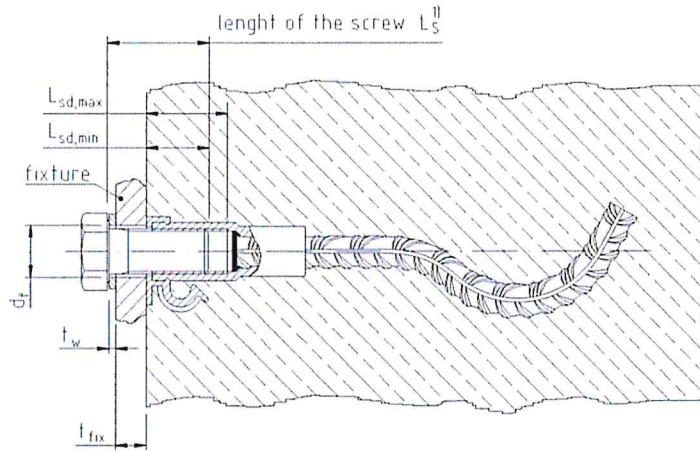
**PFEIFER-DB-Anchor-System**

**Intended Use  
Specifications**

**Annex B2**

**Steel-to-data clip contact**

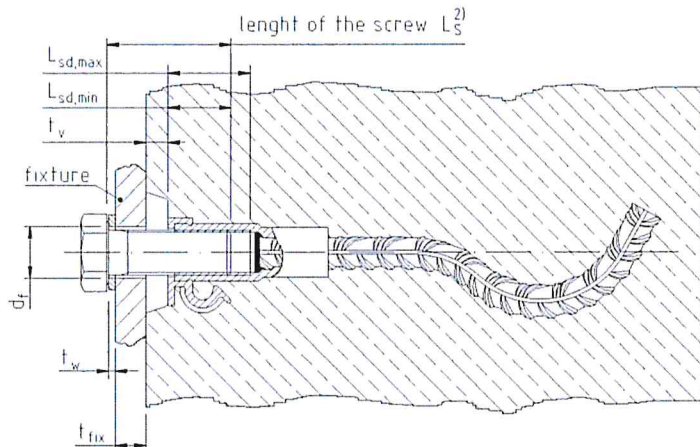
The fixture is braced directly to the anchor, eventually by using a suitable washer.



$$1) t_w + t_{fix} + L_{sd,min} \leq L_s \leq t_w + t_{fix} + L_{sd,max}$$

**General application**

The fixture is braced directly to the concrete while the anchor is either braced to the surface flush or sunk into to the concrete.



$$2) t_w + t_{fix} + t_v + L_{sd,min} \leq L_s \leq t_w + t_{fix} + t_v + L_{sd,max}$$

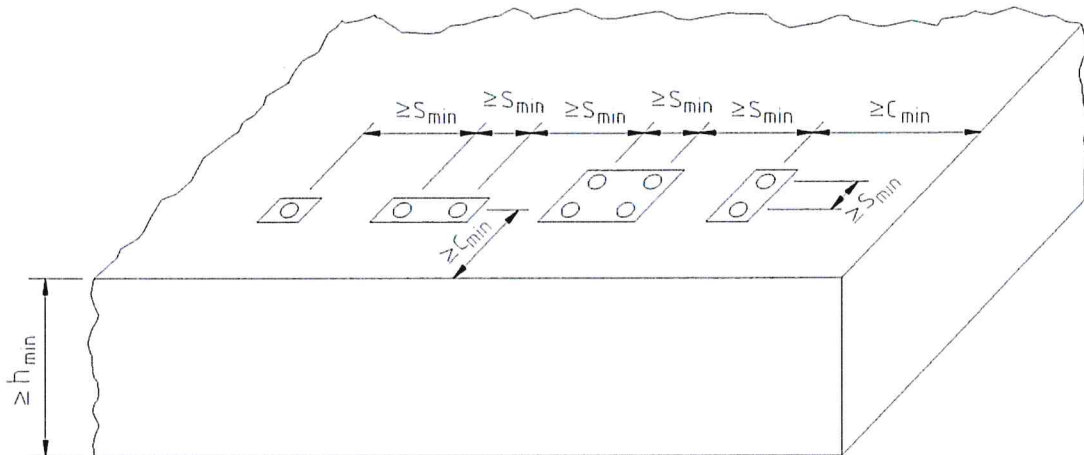
Table B1: Installation parameters

Waved Anchor / Foot-Mounted Anchor		Rd/M12	Rd/M16	Rd/M20	Rd/M24	Rd/M30
appropriate size of screw	[mm]	M 12	M 16	M 20	M 24	M 30
maximum setting torque	max. T <sub>inst</sub> [Nm]	≤ 10	≤ 30	≤ 60	≤ 80	≤ 200
minimum screw-in depth	L <sub>sd,min</sub> [mm]	15	20	25	30	35
maximum screw-in depth	L <sub>sd,max</sub> [mm]	24	29	37	45	58
diameter of clearance hole in the fixture	d <sub>f</sub> [mm]	14	18	22	26	33

**PFEIFER-DB-Anchor-System**

**Intended Use**  
Installation parameters

**Annex B3**



Spacing, edge distance and minimum thickness of concrete member apply also for anchors in front-side installation.

Table B2: Minimum thickness of concrete member, minimum edge distance and minimum spacing

Waved Anchor			Rd/M12	Rd/M16	Rd/M20	Rd/M24	Rd/M30
minimum spacing	$S_{min}$	[mm]	100	120	140	160	200
minimum edge distance	$c_{min}$	[mm]	50	60	70	80	100
minimum thickness of concrete member <sup>1)</sup>	$h_{min}$	[mm]	130	200	220	290	340

Foot-Mounted Anchor			Rd/M12	Rd/M16	Rd/M20	Rd/M24	Rd/M30
minimum spacing	$S_{min}$	[mm]	120	150	180	200	240
minimum edge distance	$c_{min}$	[mm]	60	75	90	100	120
minimum thickness of concrete member <sup>1)</sup>	$h_{min}$	[mm]	100	140	170	210	250

1)  $h \geq h_{nom} + c_{nom}$   $c_{nom}$  acc. to EN 1992-1

**PFEIFER-DB-Anchor-System**

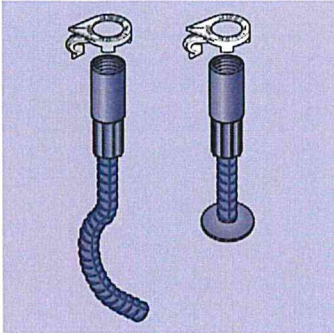
**Intended Use**

Minimum spacings and edge distances, minimum thickness of concrete member

**Annex B4**

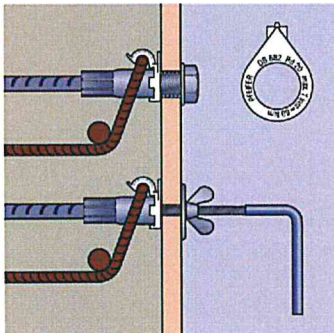
## Installation instructions

### 1. Components



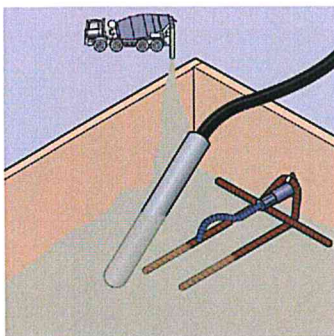
1. PFEIFER Waved Anchor or PFEIFER Foot-Mounted Anchor DB 682 with pressed on socket made of galvanized steel or stainless steel
2. PFEIFER Data Clip for Waved Anchor, colour: grey  
PFEIFER Data Clip for Foot-Mounted Anchor, colour: white

### 2. Fixing of the anchor at the formwork



1. Put PFEIFER Data Clip onto the socket.
2. Fix anchor at the formwork by using PFEIFER accessories for shuttering or alternatively by means of a suitable screw.
  - Keep the correct adjustment of the DB anchor!
  - Avoid concrete penetration into the socket!
  - Galvanized socket: Avoid concrete penetration into the socket!
3. If required, fix supplementary reinforcement acc. to Annex A5 or A6 at the socket by PFEIFER Data Clip.
  - Supplementary reinforcement must be fixed close to the socket!

### 3. Pouring and compacting of concrete



1. Fill in concrete carefully, mind the fixed anchors!
2. Compact concrete properly, avoid contact between vibrating device and DB anchor resp. supplementary reinforcement.
  - Anchor must not be moved or damaged!

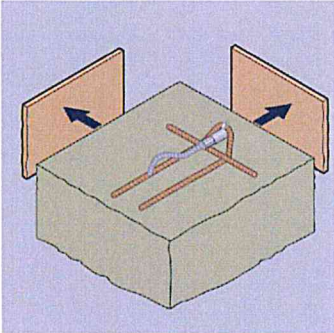
**PFEIFER-DB-Anchor-System**

**Intended Use**  
Installation instructions

**Annex B5**

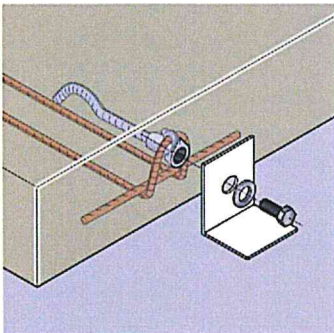
## Installation instructions

### 4. Removal of shuttering



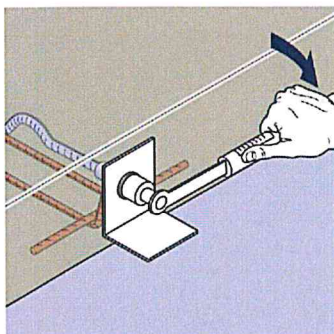
1. Remove accessories for shuttering.
2. Remove shuttering.
3. Check internal thread of DB Anchor. Clean the thread of the socket properly if concrete has been penetrated into.

### 5. Assembly of the fixture



1. Ensure, that the concrete has reached its designated strength.
2. Ensure, that the length of the screw is correct.  
→ Maximum respectively minimum screw-in depth see Annex B3!
3. Assemble the fixture.  
→ Use appropriate components acc. to Annex A4, Table A4!  
→ Keep the maximum setting torques given below!  
→ Note all additional information regarding the fixture!

### 6. Maximum setting torques



Maximum setting torques max.  $T_{inst}$   
for Waved Anchor / Foot-Mounted Anchor

Rd/M12	Rd/M16	Rd/M20	Rd/M24	Rd/M30
≤ 10 Nm	≤ 30 Nm	≤ 60 Nm	≤ 80 Nm	≤ 200 Nm

**PFEIFER-DB-Anchor-System**

**Intended Use**  
Installation instructions

**Annex B6**



Table C1: Characteristic resistances under tension load for static and quasi-static loads

Waved Anchor / Foot-Mounted Anchor				Rd/M12	Rd/M16	Rd/M20	Rd/M24	Rd/M30	
<b>Steel failure with galvanized sockets and screws (strength class 5.6)</b>									
characteristic resistance	$N_{Rk,s}$	[kN]		31,1	78,5	122,5	110,6	172,8	
partial safety factor	$\gamma_{Ms}^{1)}$	[-]		1,66	2,0		1,4		
<b>Steel failure with galvanized sockets and screws (strength class 8.8)</b>									
characteristic resistance	$N_{Rk,s}$	[kN]		31,1	71,2	130,8	110,6	172,8	
partial safety factor	$\gamma_{Ms}^{1)}$	[-]		1,66			1,4		
<b>Steel failure with sockets and screws made of stainless steel (strength class A4-50)</b>									
characteristic resistance	$N_{Rk,s}$	[kN]		29,4	78,5	122,5	151,1	259,2	
partial safety factor	$\gamma_{Ms}^{1)}$	[-]			2,93				
<b>Steel failure with sockets and screws made of stainless steel (strength class A4-70)</b>									
characteristic resistance	$N_{Rk,s}$	[kN]		29,4	82,6	133,4	151,1	259,2	
partial safety factor	$\gamma_{Ms}^{1)}$	[-]			2,93				
<b>Pull-out failure</b>									
cracked concrete	C20/25	Waved Anchor	$N_{Rk,p}$	[kN]	12	25	50	50	95
uncracked concrete	C20/25		$N_{Rk,p}$	[kN]	20	40	60	60	95
cracked concrete	C20/25	Foot-Mounted Anchor	$N_{Rk,p}$	[kN]	40	75	140	140	200
uncracked concrete	C20/25		$N_{Rk,p}$	[kN]	50	115	200	200	300
increasing factor for $N_{Rk,p}$ in cracked or uncracked concrete	C30/37	$\psi_c$	[-]			1,22			
	C40/50	$\psi_c$	[-]			1,41			
	C50/60	$\psi_c$	[-]			1,55			
partial safety factor		$\gamma_{Mp}^{1)}$	[-]			1,50			
<b>Concrete cone failure</b>									
effective anchorage depth	Waved Anchor	$h_{ef}$	[mm]	54	95	127	140	194	
effective anchorage depth	Foot-Mounted Anchor	$h_{ef}$	[mm]	78	116	145	175	215	
factor to take into account the influence of the load transfer mechanism	Waved Anchor	$k_{cr}$	[-]			7,2			
		$k_{ucr}$	[-]			10,1			
	Foot-Mounted Anchor	$k_{cr}$	[-]			8,5			
		$k_{ucr}$	[-]			11,9			
characteristic spacing		$s_{cr,N}$	[mm]			$3,0 \cdot h_{ef}$			
characteristic edge distance		$c_{cr,N}$	[mm]			$1,5 \cdot h_{ef}$			
partial safety factor		$\gamma_{Mc}^{1)}$	[-]			1,50			
<b>Splitting</b>									
effective anchorage depth	Waved Anchor	$h_{ef}$	[mm]	54	95	127	140	194	
characteristic spacing		$s_{cr,sp}$	[mm]	232	354	368	556	706	
characteristic edge distance		$c_{cr,sp}$	[mm]	116	177	184	278	353	
effective anchorage depth	Foot-Mounted Anchor	$h_{ef}$	[mm]	78	116	145	175	215	
characteristic spacing		$s_{cr,sp}$	[mm]	300	460	480	780	900	
characteristic edge distance		$c_{cr,sp}$	[mm]	150	230	240	390	450	
partial safety factor		$\gamma_{Msp}^{1)}$	[-]			1,50			

1) In absence of other national regulations

**PFEIFER-DB-Anchor-System**

**Performances**

Characteristic resistances under tension load for static and quasi-static loads

**Annex C1**

Table C2: Displacements under tension load for static and quasi-static loads

Waved Anchor			Rd/M12	Rd/M16	Rd/M20	Rd/M24	Rd/M30
<b>Displacements under tension load</b> (material 1 or material 2)							
tension load in cracked concrete	N	[kN]	5,7	11,9	23,8	23,8	45,2
short time displacement	$\delta_{N0}$	[mm]	0,6	1,6	1,4	1,3	1,2
long time displacement	$\delta_{N\infty}$	[mm]	1,0	1,9	1,5	1,2	0,9
tension load in uncracked concrete	N	[kN]	9,5	19,1	28,6	28,6	45,2
short time displacement	$\delta_{N0}$	[mm]	0,8	1,7	1,5	1,4	1,2
long time displacement	$\delta_{N\infty}$	[mm]	1,0	1,9	1,5	1,2	0,9

Foot-Mounted Anchor			Rd/M12	Rd/M16	Rd/M20	Rd/M24	Rd/M30
<b>Displacements under tension load</b> (material 1 or material 2)							
tension load in cracked concrete	N	[kN]	5,7	11,9	23,8	23,8	45,2
short time displacement	$\delta_{N0}$	[mm]	0,1	0,1	0,2	0,2	0,2
long time displacement	$\delta_{N\infty}$	[mm]	0,2	0,2	0,4	0,4	0,4
tension load in uncracked concrete	N	[kN]	9,5	19,1	28,6	28,6	45,2
short time displacement	$\delta_{N0}$	[mm]	0,1	0,2	0,1	0,2	0,2
long time displacement	$\delta_{N\infty}$	[mm]	0,2	0,4	0,2	0,4	0,4

**PFEIFER-DB-Anchor-System**

**Performances**

Displacements under tension load for static and quasi-static loads

**Annex C2**

Table C3: Characteristic resistances under shear load for static and quasi-static loads

Waved Anchor / Foot-Mounted Anchor		Rd/M12	Rd/M16	Rd/M20	Rd/M24	Rd/M30
<b>Shear load without lever arm</b>						
groupfactor (CEN/TS 1992-4-2, 6.3.3.1)	$k_2$ [-]	1,0				
<b>Steel failure with galvanized sockets and screws (strength class 5.6)</b>						
characteristic resistance	$V_{Rk,s}$ [kN]	15,5	39,2	61,3	88,3	140,3
partial safety factor	$\gamma_{Ms}^{1)}$ [-]	1,38	1,67			
<b>Steel failure with galvanized sockets and screws (strength class 8.8)</b>						
characteristic resistance	$V_{Rk,s}$ [kN]	15,5	35,6	65,3	74,1	127,0
partial safety factor	$\gamma_{Ms}^{1)}$ [-]	1,38				
<b>Steel failure with sockets and screws made of stainless steel (strength class A4-50)</b>						
characteristic resistance	$V_{Rk,s}$ [kN]	14,7	39,2	61,3	75,5	129,6
partial safety factor	$\gamma_{Ms}^{1)}$ [-]	2,44				
<b>Steel failure with sockets and screws made of stainless steel (strength class A4-70)</b>						
characteristic resistance	$V_{Rk,s}$ [kN]	14,7	41,3	66,7	75,5	129,6
partial safety factor	$\gamma_{Ms}^{1)}$ [-]	2,44				
<b>Shear load with lever arm</b>						
<b>Steel failure with galvanized sockets and screws (strength class 5.6)</b>						
characteristic resistance	$M_{Rk,s}^0$ [Nm]	65	166	324	560	1123
partial safety factor	$\gamma_{Ms}^{1)}$ [-]	1,67				
<b>Steel failure with galvanized sockets and screws (strength class 8.8)</b>						
characteristic resistance	$M_{Rk,s}^0$ [Nm]	115	266	519	896	1797
partial safety factor	$\gamma_{Ms}^{1)}$ [-]	1,38	1,25			
<b>Steel failure with sockets and screws made of stainless steel (strength class A4-50)</b>						
characteristic resistance	$M_{Rk,s}^0$ [Nm]	65	166	324	560	1123
partial safety factor	$\gamma_{Ms}^{1)}$ [-]	2,44				
<b>Steel failure with sockets and screws made of stainless steel (strength class A4-70)</b>						
characteristic resistance	$M_{Rk,s}^0$ [Nm]	108	232	454	1123	2422
partial safety factor	$\gamma_{Ms}^{1)}$ [-]	2,44	1,56	2,44		
<b>Concrete pry-out Failure</b>						
factor	$k$ [-]	1,0	2,0			
partial safety factor	$\gamma_{Mcp}^{1)}$ [-]	1,50				
<b>Concrete edge failure (without supplementary reinforcement)</b>						
effective length of anchor	$l_f$ [mm]	42,0	56,5	72,0	82,0	109,5
outside diameter of anchor	$d_{nom}$ [mm]	15,0	21,0	25,0	25,0	25,0
partial safety factor	$\gamma_{Mce}^{1)}$ [-]	1,50				

1) In absence of other national regulations

**PFEIFER-DB-Anchor-System**

**Performances**

Characteristic resistances under shear load for static and quasi-static loads

**Annex C3**

Table C4: Characteristic resistances under shear load for static and quasi-static loads due to failure of supplementary reinforcement for plane installation

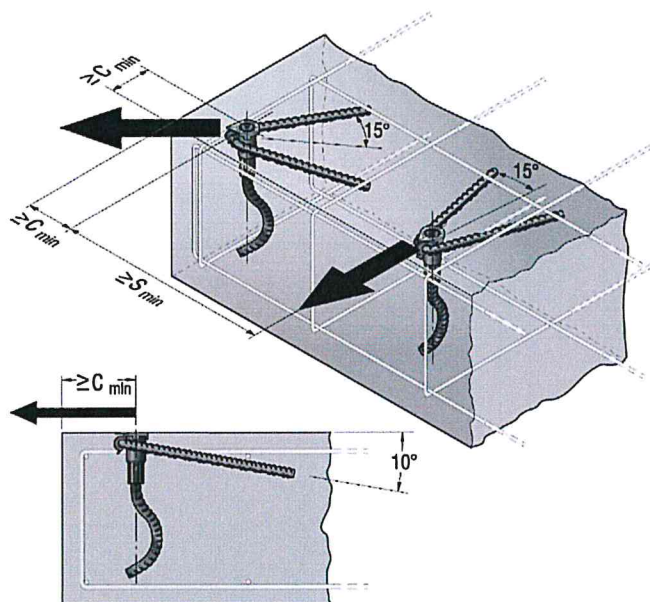
Waved Anchor / Foot-Mounted Anchor		Rd/M12	Rd/M16	Rd/M20	Rd/M24	Rd/M30
characteristic resistance of the supplementary reinforcement for plane installation	$V_{Rk,c,re}$ [kN]	13,5	23,9	37,4	53,8	53,8
corresponding partial safety factor	$\gamma_{Ms,re}$ <sup>1)</sup> [-]	1,15				

Waved Anchor		Rd/M12	Rd/M16	Rd/M20	Rd/M24	Rd/M30
minimum spacing	$s_{min}$ [mm]	100	120	140	160	200
minimum edge distance <sup>2)</sup>	$c_{min}$ [mm]	50	60	70	80	100

Foot-Mounted Anchor		Rd/M12	Rd/M16	Rd/M20	Rd/M24	Rd/M30
minimum spacing	$s_{min}$ [mm]	120	150	180	200	240
minimum edge distance <sup>2)</sup>	$c_{min}$ [mm]	60	75	90	100	120

1) In absence of other national regulations

2) The edge distance has to be defined with regard to the concrete cover  $c_{nom}$  according to EN 1992-1



**Note**

Supplementary reinforcement for plane installation may only be used for forces in direction of the arrows given above. The reinforcement has to be arranged symmetrically to the direction of the force.

The supplementary reinforcement has to be fixed directly onto the socket by using the data clip. If the anchors are not used under dry conditions (indoor) according to Annex B1, the additional reinforcement has to be made of stainless steel.

This information also applies for Foot-Mounted Anchor DB 682.

**PFEIFER-DB-Anchor-System**

**Performances**

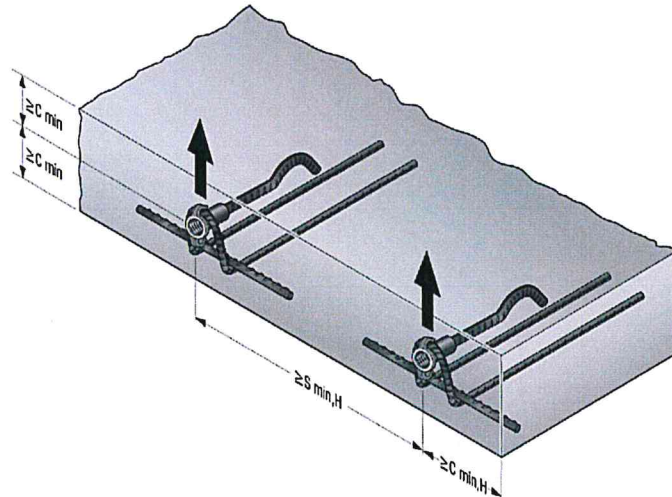
Characteristic resistances under shear load for static and quasi-static loads with supplementary reinforcement and plane installation

**Annex C4**

Table C4: Characteristic resistances under shear load for static and quasi-static loads due to failure of supplementary reinforcement for front-side installation

Waved Anchor / Foot mounted Anchor		Rd/M12	Rd/M16	Rd/M20	Rd/M24	Rd/M30
characteristic resistance of the supplementary reinforcement for front-side installation	$V_{Rk,c,re}$ [kN]	5,7	17,6	27,5	39,6	43,0
partial safety factor	$\gamma_{Ms,re}$ <sup>1)</sup> [-]	1,8				
minimum spacing	$s_{min,H}$ [mm]	280	400	490	550	580
min. edge distance parallel to the plane	$c_{min,H}$ [mm]	$= L_Q / 2 + c_{norm}$ <sup>2)</sup>				
Waved Anchor		Rd/M12	Rd/M16	Rd/M20	Rd/M24	Rd/M30
min edge distance perpendicular to the plane	$c_{min}$ [mm]	50	60	70	80	100
Foot-Mounted Anchor		Rd/M12	Rd/M16	Rd/M20	Rd/M24	Rd/M30
min edge distance perpendicular to the plane	$c_{min}$ [mm]	60	75	90	100	120

- 1) In absence of other national regulations  
2) Dimensions  $L_Q$  according to Annex A6



**Note**

Supplementary reinforcement for the front-side installation may only be used for forces in direction of the arrows given above. The reinforcement has to be arranged symmetrically to the direction of the force.

The supplementary reinforcement has to be fixed directly onto the socket by using the data clip. If the anchors are not used under dry conditions (indoor) according to Annex B1, the additional reinforcement has to be made of stainless steel.

This information also applies for Foot-Mounted Anchor DB 682.

Combined tension and shear load	
The factor $k_7$ is for combined tension and shear load acc. to CEN/TS 1992-4-2:2009, section 6.4.1.3:	$k_7 = 2/3$

<b>PFEIFER-DB-Anchor-System</b>	<b>Annex C5</b>
<b>Performances</b> Characteristic resistances under shear load for static and quasi-static loads with supplementary reinforcement and front-side installation	

Table C6: Displacements under shear load for static and quasi-static loads

Waved Anchor / Foot-Mounted Anchor			Rd/M12	Rd/M16	Rd/M20	Rd/M24	Rd/M30
<b>Displacement under shear load <u>without</u> supplementary reinforcement</b> with galvanized sockets and screws (strength class 5.6)							
shear load in cracked and uncracked concrete	V	[kN]	8,1	16,8	26,2	37,7	60,0
short time displacement	$\delta_{v0}$	[mm]	2,0	2,0	3,0	3,0	4,0
long time displacement	$\delta_{v\infty}$	[mm]	3,0	3,0	4,5	4,5	6,0
<b>Displacement under shear load <u>without</u> supplementary reinforcement</b> with galvanized sockets and screws (strength class 8.8)							
shear load in cracked and uncracked concrete	V	[kN]	8,1	18,4	33,8	38,3	65,8
short time displacement	$\delta_{v0}$	[mm]	2,0	2,0	3,0	3,0	4,0
long time displacement	$\delta_{v\infty}$	[mm]	3,0	3,0	4,5	4,5	6,0
<b>Displacement under shear load <u>without</u> supplementary reinforcement</b> with sockets and screws made of stainless steel (strenght class A4-50)							
shear load in cracked and uncracked concrete	V	[kN]	4,3	11,4	17,9	22,1	38,0
short time displacement	$\delta_{v0}$	[mm]	2,0	2,0	3,0	3,0	4,0
long time displacement	$\delta_{v\infty}$	[mm]	3,0	3,0	4,5	4,5	6,0
<b>Displacement under shear load <u>without</u> supplementary reinforcement</b> with sockets and screws made of stainless steel (strength class A4-70)							
shear load in cracked and uncracked concrete	V	[kN]	4,3	12,1	19,5	22,1	38,0
short time displacement	$\delta_{v0}$	[mm]	2,0	2,0	3,0	3,0	4,0
long time displacement	$\delta_{v\infty}$	[mm]	3,0	3,0	4,5	4,5	6,0
<b>Displacement under shear load <u>with</u> supplementary reinforcement according to Annex A5</b> (plane installation)							
shear load in cracked and uncracked concrete	$V_S$	[kN]	8,4	14,8	23,2	33,4	33,4
short time displacement	$\delta_{v0}$	[mm]	1,5	1,5	2,0	2,0	2,0
long time displacement	$\delta_{v\infty}$	[mm]	2,0	2,3	2,6	2,7	2,7
<b>Displacement under shear load <u>with</u> supplementary reinforcement according to Annex A6</b> (front-side installation)							
shear load in cracked and uncracked concrete	$V_Q$	[kN]	2,3	7,0	10,9	15,7	17,1
short time displacement	$\delta_{v0}$	[mm]	1,0	1,4	1,6	1,8	2,0
long time displacement	$\delta_{v\infty}$	[mm]	1,5	2,1	2,4	2,7	3,0

**PFEIFER-DB-Anchor-System**

**Performances**

Displacements under shear load for static and quasi-static loads

**Annex C6**

Table C7: Characteristic values of resistance for Foot-Mounted Anchor under tension load for seismic performance category C1

Foot-Mounted Anchor		Rd/M12	Rd/M16	Rd/M20	Rd/M24	Rd/M30
<b>Steel failure with galvanized sockets and screws (strength class 5.6)</b>						
characteristic resistance	$N_{Rk,s,seis}^0$ [kN]	31,1	78,5	122,5	110,6	172,8
partial safety factor	$\gamma_{Ms,seis}$ [-]	1,66	2,0		1,4	
<b>Steel failure with galvanized sockets and screws (strength class 8.8)</b>						
characteristic resistance	$N_{Rk,s,seis}^0$ [kN]	31,1	71,2	130,8	110,6	172,8
partial safety factor	$\gamma_{Ms,seis}$ [-]	1,66			1,4	
<b>Steel failure with sockets and screws made of stainless steel (strength class A4-50)</b>						
characteristic resistance	$N_{Rk,s,seis}^0$ [kN]	29,4	78,5	122,5	151,1	259,2
partial safety factor	$\gamma_{Ms,seis}$ [-]	2,93				
<b>Steel failure with sockets and screws made of stainless steel (strength class A4-70)</b>						
characteristic resistance	$N_{Rk,s,seis}^0$ [kN]	29,4	82,6	133,4	151,1	259,2
partial safety factor	$\gamma_{Ms,seis}$ [-]	2,93				
<b>Pull-out failure</b>						
characteristic resistance in cracked concrete	$N_{Rk,p,seis}^0$ [kN]	$N_{Rk,c}$ according to Annex C1				
partial safety factor	$\gamma_{Mp,seis}$ [-]	1,5				

**PFEIFER-DB-Anchor-System**

**Performances**

Characteristic values of resistance for Foot-Mounted Anchor under tension load for seismic performance category C1

**Annex C7**

Table C8: Characteristic resistances for Foot-Mounted Anchor under shear load for seismic performance category C1

Foot-Mounted Anchor		Rd/M12	Rd/M16	Rd/M20	Rd/M24	Rd/M30
<b>Steel failure with galvanized sockets and screws (strength class 5.6)</b>						
characteristic resistance	$V_{RK,s,seis}^0$ [kN]	15,5	39,2	61,3	88,3	140,3
partial safety factor	$\gamma_{Ms,seis}$ [-]	1,38	1,67			
<b>Steel failure with galvanized sockets and screws (strength class 8.8)</b>						
characteristic resistance	$V_{RK,s,seis}^0$ [kN]	15,5	35,6	65,3	74,1	127,0
partial safety factor	$\gamma_{Ms,seis}$ [-]	1,38				
<b>Steel failure with sockets and screws made of stainless steel (strength class A4-50)</b>						
characteristic resistance	$V_{RK,s,seis}^0$ [kN]	14,7	39,2	61,3	75,5	129,6
partial safety factor	$\gamma_{Ms,seis}$ [-]	2,44				
<b>Steel failure with sockets and screws made of stainless steel (strength class A4-70)</b>						
characteristic resistance	$V_{RK,s,seis}^0$ [kN]	14,7	41,3	66,7	75,5	129,6
partial safety factor	$\gamma_{Ms,seis}$ [-]	2,44				

**PFEIFER-DB-Anchor-System**

**Performances**

Characteristic resistances for Foot-Mounted Anchor under shear load for seismic performance category C1

**Annex C8**



Table C9: **Characteristic resistances for Foot-Mounted Anchor under tension load for seismic performance category C2**

Foot-Mounted Anchor		Rd/M12	Rd/M16	Rd/M20	Rd/M24	Rd/M30
<b>Steel failure with galvanized sockets and screws (strength class 5.6)</b>						
characteristic resistance	$N_{Rk,s,seis}^0$ [kN]	31,1	78,5	122,5	110,6	172,8
partial safety factor	$\gamma_{Ms}$ [-]	1,66	2,0		1,4	
<b>Steel failure with galvanized sockets and screws (strength class 8.8)</b>						
characteristic resistance	$N_{Rk,s,seis}^0$ [kN]	31,1	71,2	130,8	110,6	172,8
partial safety factor	$\gamma_{Ms,seis}$ [-]	1,66			1,4	
<b>Steel failure with sockets and screws made of stainless steel (strength class A4-50)</b>						
characteristic resistance	$N_{Rk,s,seis}^0$ [kN]	29,4	78,5	122,5	151,1	259,2
partial safety factor	$\gamma_{Ms,seis}$ [-]	2,93				
<b>Steel failure with sockets and screws made of stainless steel (strength class A4-70)</b>						
characteristic resistance	$N_{Rk,s,seis}^0$ [kN]	29,4	82,6	133,4	151,1	259,2
partial safety factor	$\gamma_{Ms,seis}$ [-]	2,93				
<b>Pull-out failure</b>						
characteristic resistance in cracked concrete	$N_{Rk,p,seis}^0$ [-]	$N_{Rk,c}$ according to Annex C1				
partial safety factor	$\gamma_{Mp,seis}$ [-]	1,5				

Table C10: **Displacements for Foot-Mounted Anchor under tension load for seismic performance category C2**

Foot-Mounted Anchor		Rd/M12	Rd/M16	Rd/M20	Rd/M24	Rd/M30
<b>Displacements</b>						
displacement for Damage Limitation State (DLS)	$\delta_{N,seis,(DLS)}$ [mm]	1,00	1,34	0,88	1,52	1,22
displacement for Ultimate Limit State (ULS)	$\delta_{N,seis,(ULS)}$ [mm]	2,79	3,73	2,36	4,14	3,20

**PFEIFER-DB-Anchor-System**

**Performances**

Characteristic resistances and displacements for Foot-Mounted Anchor under tension load for seismic performance category C2

**Annex C9**

Table C11: Characteristic resistances for Foot-Mounted Anchor under shear load for seismic performance category C2

Foot-Mounted Anchor		Rd/M12	Rd/M16	Rd/M20	Rd/M24	Rd/M30
<b>Steel failure with galvanized sockets and screws (strength class 5.6)</b>						
characteristic resistance	$V_{Rk,s,seis}^0$ [kN]	15,5	39,2	61,3	88,3	140,3
partial safety factor	$\gamma_{Ms,seis}$ [-]	1,38	1,67			
<b>Steel failure with galvanized sockets and screws (strength class 8.8)</b>						
characteristic resistance	$V_{Rk,s,seis}^0$ [kN]	15,5	35,6	65,3	74,1	127,0
partial safety factor	$\gamma_{Ms,seis}$ [-]	1,38				
<b>Steel failure with sockets and screws made of stainless steel (strength class A4-50)</b>						
characteristic resistance	$V_{Rk,s,seis}^0$ [kN]	14,7	39,2	61,3	75,5	129,6
partial safety factor	$\gamma_{Ms,seis}$ [-]	2,44				
<b>Steel failure with sockets and screws made of stainless steel (strength class A4-70)</b>						
characteristic resistance	$V_{Rk,s,seis}^0$ [kN]	14,7	41,3	66,7	75,5	129,6
partial safety factor	$\gamma_{Ms,seis}$ [-]	2,44				

Table C12: Displacements for Foot-Mounted Anchor under shear load for seismic performance category C2

Foot-Mounted Anchor		Rd/M12	Rd/M16	Rd/M20	Rd/M24	Rd/M30
<b>Displacements</b>						
displacement for Damage Limitation State (DLS)	$\delta_{V,seis,(DLS)}$ [mm]	3,78	4,46	5,33	4,88	5,65
displacement for Ultimate Limit State (ULS)	$\delta_{V,seis,(ULS)}$ [mm]	5,54	6,88	5,58	8,04	9,68

**PFEIFER-DB-Anchor-System**

**Performances**

Characteristic resistances and displacements for Foot-Mounted Anchor under shear load for seismic performance category C2

**Annex C10**