

# PFEIFER external cap, small

Item-No. 05.216

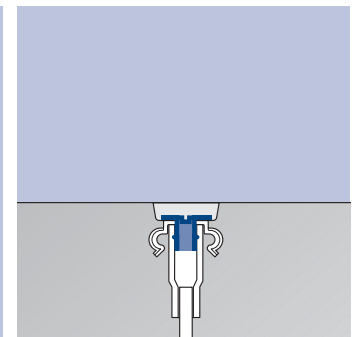
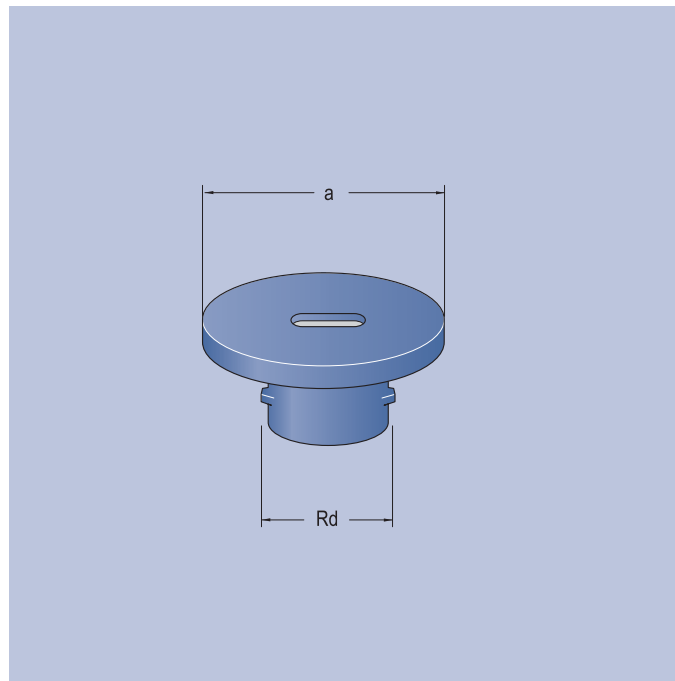


**PFEIFER**

Thread System  
Accessories

The concrete grey PFEIFER external cap enables all the lifting anchors of the thread system to be closed in a simple way. All external caps are suitable for capping the flush or recessed anchors.

Material:  
plastic, concrete grey



Ref.-No.	Type/Size	Dimensions [mm]		Packing unit, pieces	Weight approx. kg/pkg. unit
		a	Rd		
05.216.120	12	18,5	12	200	0,14
05.216.140	14	21,5	14	200	0,26
05.216.160	16	25,5	16	200	0,36
05.216.180	18	28,5	18	200	0,40
05.216.200	20	31,5	20	200	0,58
05.216.240	24	35,0	24	200	0,76
05.216.300	30	44,0	30	200	1,18
05.216.360	36	52,5	36	100	0,67
05.216.420	42	59,5	42	100	0,99
05.216.520	52	73,0	52	100	1,40
05.216.560	56	75,0	56	50	1,10
05.216.600	60	80,0	60	50	1,20

Sample order for 100 PFEIFER external caps, small, size Rd 42:  
100 PFEIFER external caps, Ref.-No. 05.216.420

Slab edge installation

Slab face installation

Lifting Anchor

Column-shaped installation

Specialised applications

Accessories  
Anchor closure

Lifting device

General  
Technical Info

# PFEIFER external cap, large PFEIFER cover plate

Item-No. 05.218

Item-No. 05.219



**PFEIFER**

Thread System

Accessories

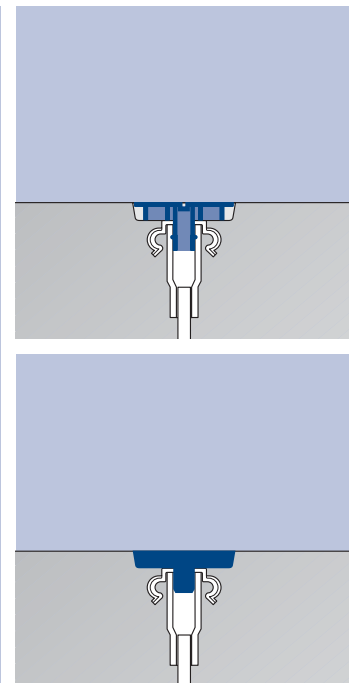
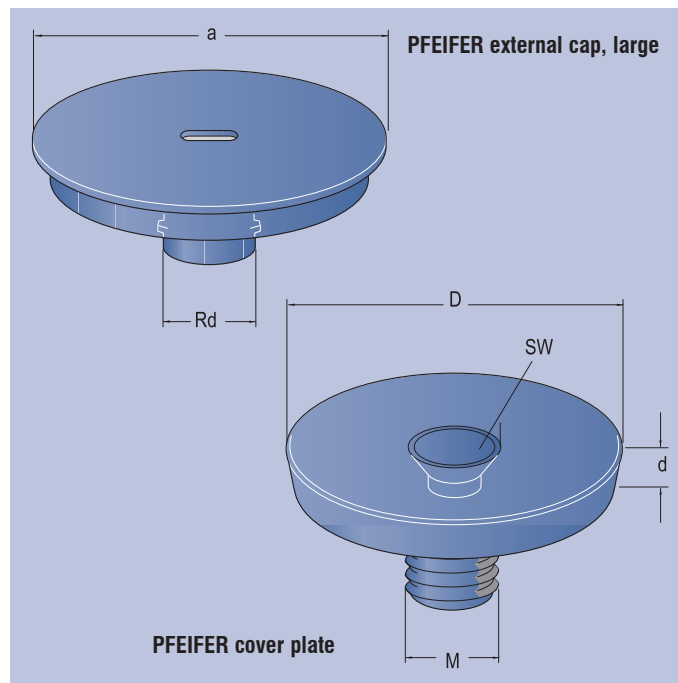
The concrete grey external cap, large, plastic, can be used for capping all lifting anchors of the thread system if they were installed recessed with a recess disc or magnetic disc.

The cover plate of galvanized steel for dry environments, or optionally stainless steel for outdoor and humid areas, provides a lasting closure of the thread opening and recess.

In both cases the socket thread should be greased to avoid deterioration of the anchor socket.

Material: PFEIFER external cap, large plastic, concrete grey

Material: PFEIFER cover plate  
Steel, galvanized or stainless 1.4571



Ref.-No. galvanized	Ref.-No. stainless steel	Cover cap Type/Size	Lifting anchor Size	SW	Dims., [mm] D	d	External cap, large			
							Ref.-No.	Dims., [mm] a	Rd	Weight approx. kg/100 pieces
05.219.123	05.219.124	12	Rd 12	5	50	10	05.218.120	50	12	0,43
05.219.143	05.219.144	14	Rd 14	5	55	10	05.218.140	55	14	0,56
05.219.163	05.219.164	16	Rd 16	5	59	10	05.218.160	59	16	0,75
05.219.183	05.219.184	18	Rd 18	5	62	10	05.218.180	62	18	0,88
05.219.203	05.219.204	20	Rd 20	5	73	10	05.218.200	73	20	1,08
05.219.243	05.219.244	24	Rd 24	6	77,5	12	05.218.240	78	24	1,40
05.219.303	05.219.304	30	Rd 30	6	93,5	12	05.218.300	94	30	2,36
05.219.363	05.219.364	36	Rd 36	6	104,5	12	05.218.360	105	36	2,88
05.219.423	05.219.424	42	Rd 42	10	114,5	15				
05.219.523	05.219.524	52	Rd 52	10	134,5	15				

Sample order for 100 PFEIFER external caps, large, size Rd 16:  
100 PFEIFER external caps, Ref.-No. 05.218.160

Example order for 50 PFEIFER cover caps, stainless steel, for size Rd 12:  
50 PFEIFER cover caps, Ref.-No. 05.219.124

# PFEIFER fastening bolt PFEIFER cover cap

Item-No. 05.224  
Item-No. 05.225  
Item-No. 05.226  
Item-No. 05.227  
Item-No. 05.228



**PFEIFER**

Thread System  
Accessories

PFEIFER fastening bolts, shallow and deep, are for locking PFEIFER threaded anchors. In contrast to the fixing bolts with head that provide a recess for the PFEIFER swivel eye or special lifting loop when combined with the recess discs, **only the PFEIFER lifting loop** can be used with these fastening bolts.

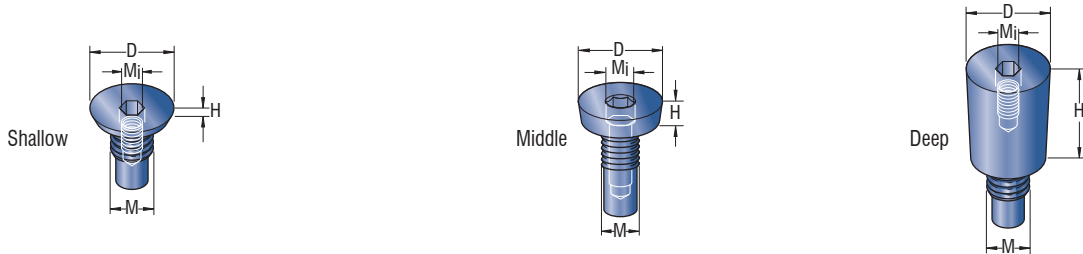
The main advantage of these two versions is in the flexibility of installation of the anchors with a large or small

concrete covering and a comparatively small diameter of the recess that can be capped quickly and cheaply.

The cover caps, of grade V2A stainless steel, close the entire recess and give a clear and appealing appearance.

Get your own logo on the PFEIFER cover cap – Just ask us for an offer

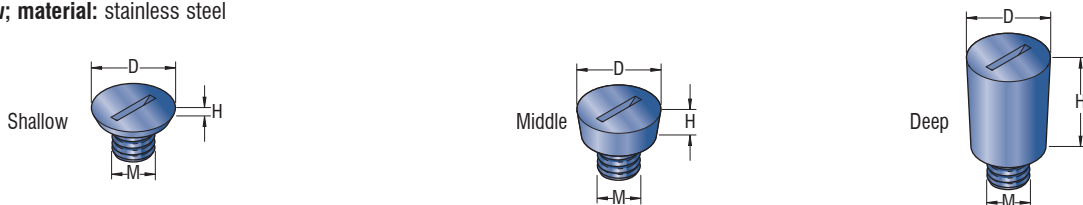
PFEIFER fastening bolt; material: Steel, zinc-plated



Fastening bolts

Ref.-No. shallow	Type/Size	D [mm]	H [mm]	SW [mm]	Mi [mm]	Weight [kg]	Ref.-No. middle	D [mm]	H [mm]	Weight [kg]	Ref.-No. deep	D [mm]	H [mm]	Weight [kg]
05.224.123	12	23,0	3,0	6	M6	0,02	05.209.123	23,5	8,5	0,03	05.225.123	23,5	30,0	0,10
05.224.143	14	26,0	3,0	8	M8	0,03	05.209.143	26,5	8,5	0,05	05.225.143	26,5	30,0	0,13
05.224.163	16	30,0	3,5	10	M8	0,04	05.209.163	30,5	8,5	0,06	05.225.163	30,5	30,0	0,18
05.224.183	18	33,0	3,5	10	M8	0,06	05.209.183	33,0	8,5	0,09	05.225.183	33,5	30,0	0,23
05.224.203	20	37,0	4,0	10	M8	0,09	05.209.203	37,0	8,0	0,11	05.225.203	37,5	30,0	0,29
05.224.243	24	40,0	4,0	14	M10	0,13	05.209.243	40,5	10,0	0,17	05.225.243	41,0	30,0	0,38
05.224.303	30	48,5	4,5	14	M10	0,27	05.209.303	49,0	10,0	0,31	05.225.303	49,5	30,0	0,62
05.224.363	36	58,0	4,5	14	M10	0,48	05.209.363	59,0	10,0	0,55	05.225.363	59,0	30,0	0,99
05.224.423	42	66,5	5,0	17	M16	0,74	05.209.423	67,0	13,0	0,84	05.225.423	67,5	30,0	1,40
05.224.523	52	79,5	5,0	17	M16	1,41	05.209.523	80,0	13,0	1,72	05.225.523	80,5	30,0	2,33

PFEIFER locking screw; material: stainless steel



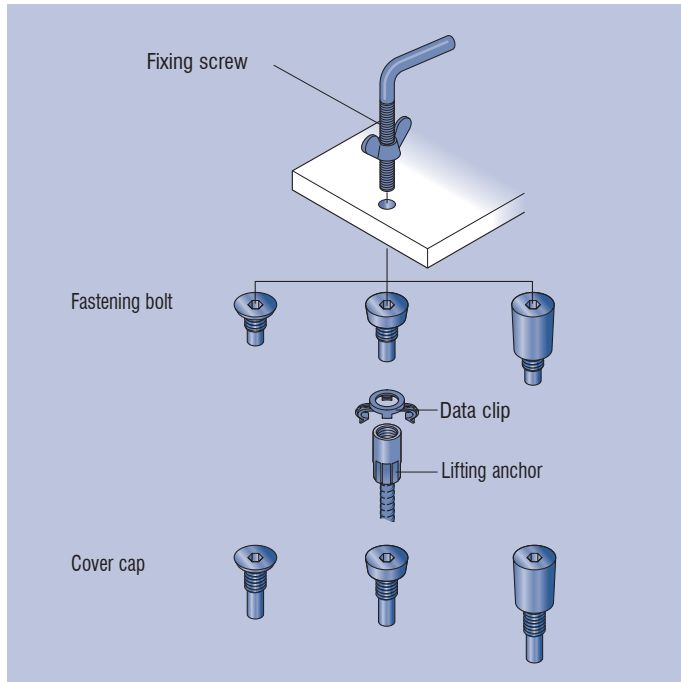
Cover caps

Ref.-No. shallow	Type/Size	D [mm]	H [mm]	Weight [kg]	Ref.-No. middle	D [mm]	H [mm]	Weight [kg]	Ref.-No. deep	D [mm]	H [mm]	Weight [kg]
05.226.124	12	22,5	3,0	0,02	05.227.124	23,0	8,5	0,04	05.228.124	23,0	30,0	0,10
05.226.144	14	25,5	3,0	0,03	05.227.144	26,0	8,5	0,05	05.228.144	26,0	30,0	0,13
05.226.164	16	29,5	3,5	0,04	05.227.164	30,0	8,5	0,07	05.228.164	30,0	30,0	0,18
05.226.184	18	32,5	3,5	0,05	05.227.184	33,0	8,5	0,09	05.228.184	33,0	30,0	0,22
05.226.204	20	36,5	4,0	0,08	05.227.204	36,5	8,0	0,11	05.228.204	37,0	30,0	0,28
05.226.244	24	39,5	4,0	0,10	05.227.244	40,0	10,0	0,16	05.228.244	40,5	30,0	0,35
05.226.304	30	48,0	4,5	0,18	05.227.304	48,0	10,0	0,25	05.228.304	49,0	30,0	0,53
05.226.364	36	57,5	4,5	0,30	05.227.364	58,0	10,0	0,40	05.228.364	58,5	30,0	0,81
05.226.424	42	66,0	5,0	0,43	05.227.424	66,5	13,0	0,63	05.228.424	67,0	30,0	1,09
05.226.524	52	79,0	5,0	0,73	05.227.524	79,0	13,0	1,01	05.228.524	80,0	30,0	1,65

# Instructions for installation and use

## System

FOR PLANNERS, FOR PRECAST PLANTS, FOR USERS

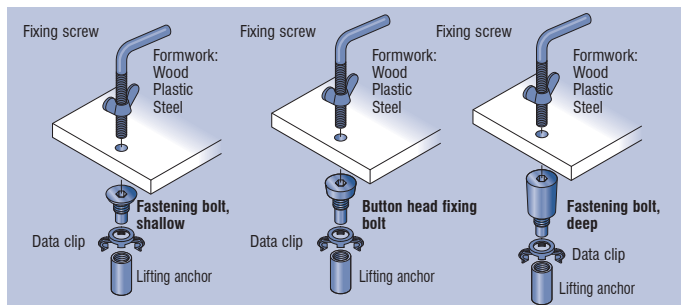


This PFEIFER accessory system consists of:

- PFEIFER fixing screw
- PFEIFER fastening bolt
- PFEIFER data clip for the selected PFEIFER lifting anchor
- PFEIFER cover caps for closing

## Use

FOR PLANNERS, FOR PRECAST PLANTS, FOR USERS



**Warning:** The use of swivel eyes or special lifting loops leads to reduced screw-in depths and therefore to a hazard to life and limb. Swivel eyes and special lifting loops must not be used with this installation variant. Only lifting loop are permissible here.



**Caution:** If the "deep" variant is used, the angles of inclination are restricted.

- Rd 12 – Rd 16: 0 – 20°
- Rd 18 – Rd 24: 0 – 30°
- Rd 30 – Rd 52: 0 – 45°

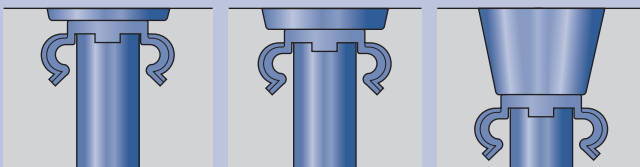
## Closing with stainless steel cover caps

Closing with stainless steel cover caps

SHALLOW

MIDDLE

DEEP



**Notice:** The cover cap can also be screwed in with the aid of a 1 Euro coin.



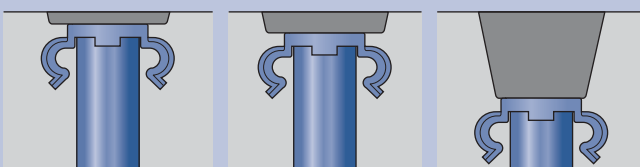
**Notice:** Closing with a low-shrinkage mortar is recommended only for non-visible areas for visual reasons.

Closing with mortar

SHALLOW

MIDDLE

DEEP



Closing with external cap, small (plastic)

SHALLOW

MIDDLE

DEEP

