

FS-Box LIGHT



PFEIFER

Connection System
FS-Box LIGHT

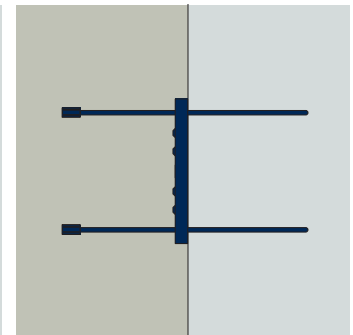
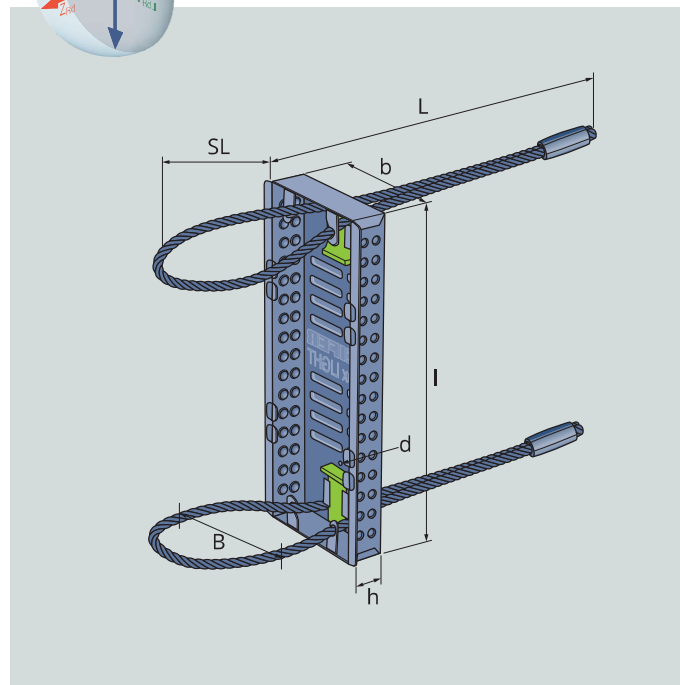
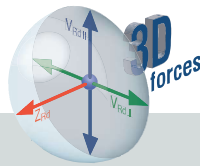
The PFEIFER FS Box LIGHT is installed as a connecting element in cast in-situ concrete structural elements, in steel reinforced semi-precast elements or in completely precast elements. The box is intended to transmit forces from static and quasi-static loads.

Advantages:

- Robust steel box
- Non-directional installation necessary
- High design resistances (see following pages)

Materials:

Box: Steel sheet, galvanized
Steel rope: high-strength, galvanized
Ferrule: Special quality steel
Loop cover: Tape



Ref. no.	Type	Dimensions							Colour clip	Weight approx. [kg/piece]
		b [mm]	I [mm]	h [mm]	d [mm]	L [mm]	SL [mm]	B [mm]		
378521	FS-Box LIGHT	80	220	25	3	217	100	75	Neon green	0,45